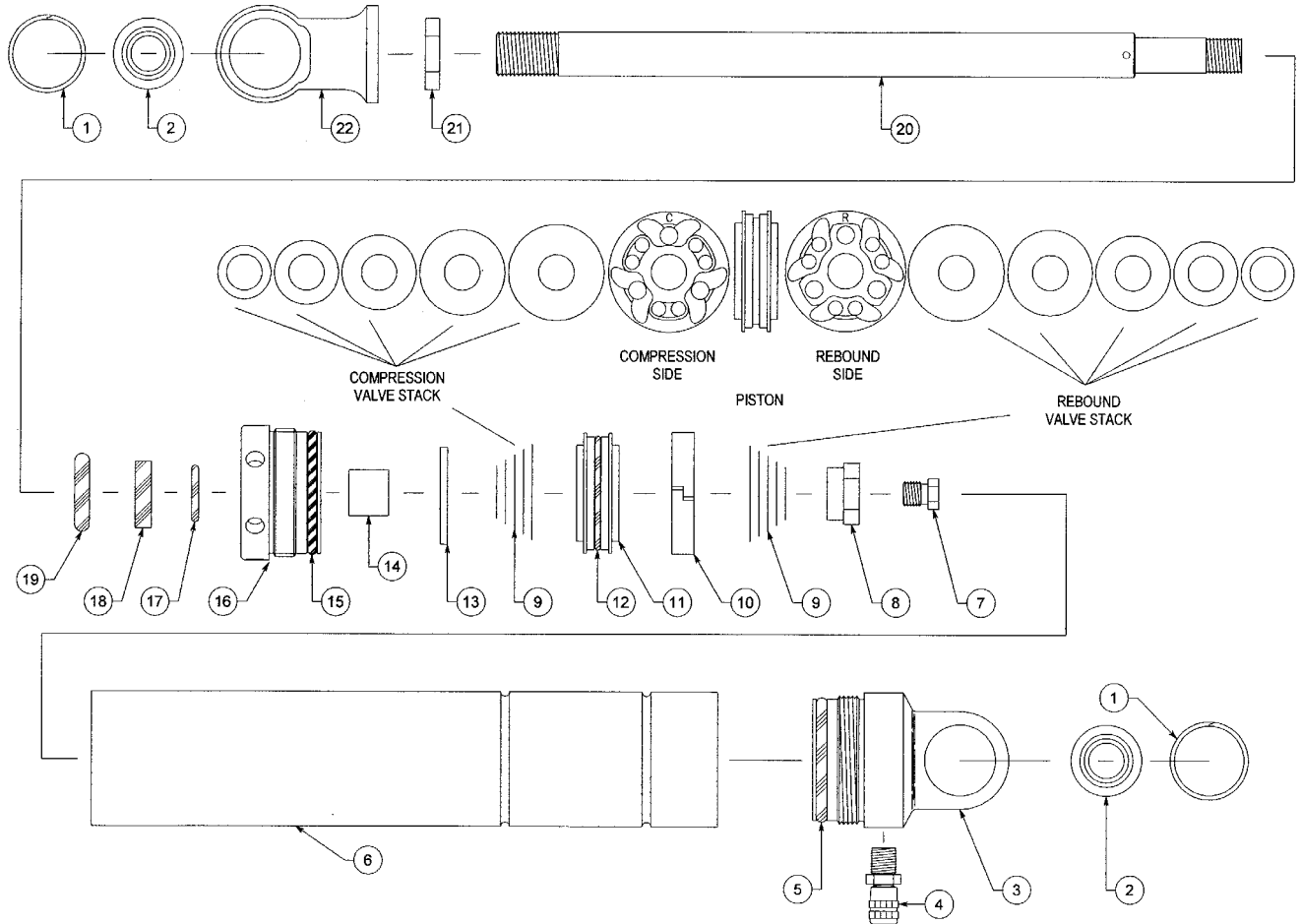


7100 Series Parts List

STANDARD STEEL BODY



ITEM NO.	PART NO.	DESCRIPTION
		Standard Steel (5", 7", 8", and 9" Travel)
1	RR-16	Retaining Ring, 1.025 Spiroloc
2	MO-09	Monoball, .500 ID x 1.00 OD x .625W
3	BC-81 *	Body Cap, 8100, (0° or 90°)
4	IU-02	Air Valve, 1/8 NPT
	IU-04	Valve Core, 2000 psi
	IU-06	Valve Cap, High Temperature
5	OR-2221-B	O-Ring, 2-221, Buna 70
6	BD-71 *	Body, Steel, 7100, (5", 7", 8", or 9")
7	JT-0 *	Jet, (.000, .020, .040, .070, or .086 Bleed)
8	NT-02R	Ring Nut, .500 x 20
9	VS- *	Valve Stack
10	PB-55	Piston Band, 55mm

ITEM NO.	PART NO.	DESCRIPTION
11	PI- *	Piston
12	OR-2028-B	O-Ring, 2-028, Buna 70
13	VW-99	Top Out Plate, 1.375 x .500
	AS-76SB	Assembly, Shaft Bearing Complete (Includes Items 14-18)
14	BU-10DU10	Bushing, DU .625 x .625
15	OR-2221-B	O-Ring, 2-221, Buna 70
16	SB-765	Shaft Bearing, 55mm
17	OR-2114-V	O-Ring, 2-114, Viton 75
18	SL-09	Shaft Wiper, .625 Poly (Blue)
19	OR-2312-B	O-Ring, 2-312, Buna 70
20	SH-NA *	Shaft, Non Adjustable, (5", 7", 8", or 9")
21	NT-04J	Jam Nut, .625 x 18
22	EY-70NA	Eyelet, Non Adjustable

See page 10 for Rebound Adjuster Option.

* Incomplete Part Number

NOTE: 7100 Series accepts a Coil-over Kit.